

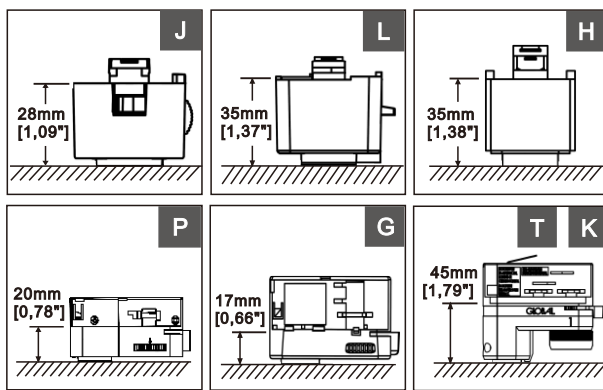
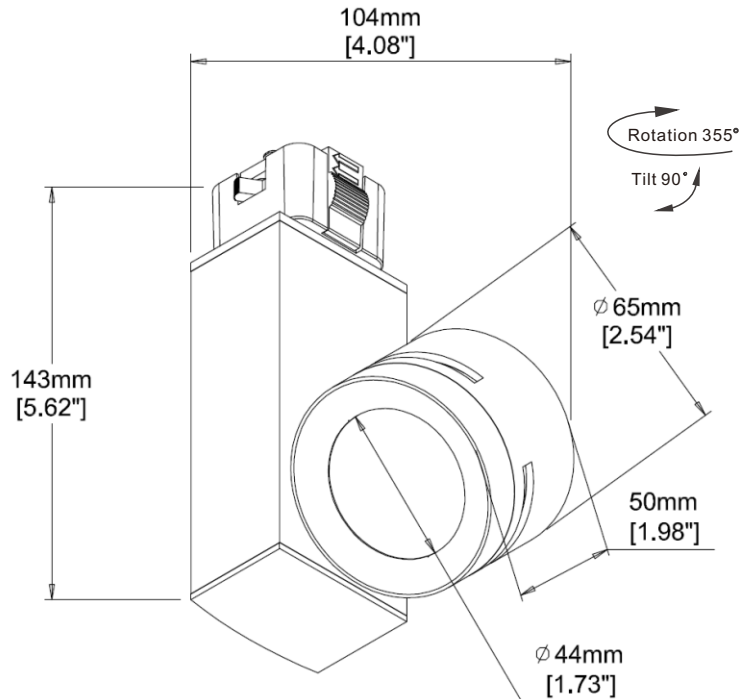
Specification sheet

REV.1

Classic VS2 Vertical Spot Mini (Global / Juno / Halo / Lightolier/ Power Gear)



1. Juno is a registered trademark of Juno Lighting
2. Halo is a registered trademark of Cooper Lighting
3. Lightolier is a registered trademark of Philips Lighting



Description

Classic VS2 packs performance and versatility into a sleek and compact design. This luminaire delivers up to 700 lm while consuming just 12.5 watts. The carefully selected frosted glass reduces glare to achieve high visual comfort. Integrated class 2 isolated driver is fine-tuned to provide best dimming performance and efficacy for this luminaire. Classic VS2 offers a wide array of options for beam angles, track adapters, and accessories making it suitable for any commercial and architectural setting.

Features

| | |
|--------------------------|---|
| LED | Philips Luxeon M LED Array |
| Color temperature | 2700K/ 3000K/ 3500K/ 4000K |
| Optics | Spot 14° / Medium 24° / Wide 39° |
| Accessories | Tapered snoot/ long snoot accessory |
| Driver | Integrated class 2 driver, power factor >0.90 |

Performance

| | |
|--------------------------|---------------------------------------|
| Delivered output | 700 lm |
| Power consumption | 12.5 W |
| Color rendering | CRI 80+ (90 CRI optional) |
| CBCP | Spot 3117cd/ medium1258cd/ wide1041cd |

Electrical and Control

| | |
|----------------------|-------------------------------------|
| Input voltage | See the ordering code |
| Control | TRIAC/ELV dimming |
| Feature | Overload & short circuit protection |

Construction

| | |
|-----------------|-------------------------------|
| Material | Aluminum |
| Finishes | Black/ White |
| Lens | Interchangeable LEDIL® optics |

Rating/ Certification/ Warranty

- Dry and damp Locations
- RoHS compliant
- UL classified E465197
- 5 years/ 50,000 hrs warranty

Ordering Code Information

| PRODUCT | Track System | LUMEN | COLOR TEMPERATURE | FINISH | BEAM ANGLE | INPUT VOLTAGE |
|---------|--------------|-------|-------------------|--------|------------|---------------|
| CLS VS2 | H | 6 | 27 | AL | S | 1 |

CLS VS2

H Halo track compatible
 J Juno track compatible
 L Lightolier track compatible
 G Global-3 circuit, Ga69
 K Global HTEK HTEK100
 P Power Gear- 3 wire, 3 circuit
 T Global TEK, TEK100

06 600lm

27 (2700K)
 30 (3000K)
 35 (3500K)
 40 (4000K)

WH (White)
 BK (Black)
 AL (Aluminium)
 NM (Nature Metalized)

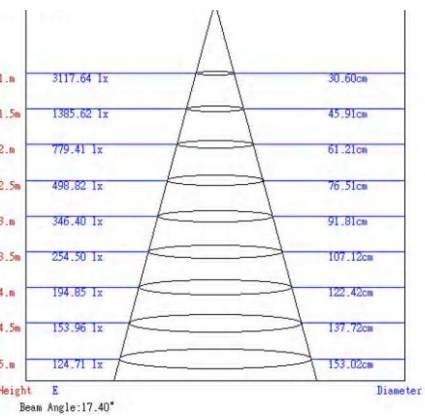
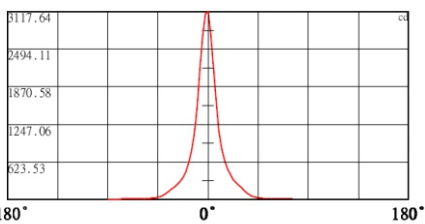
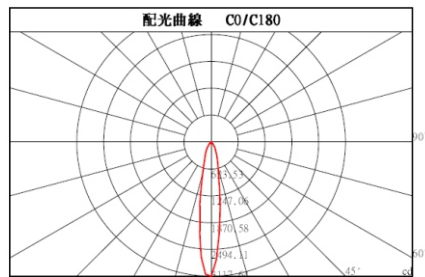
S (Spot) / 14 deg.
 M (Medium) / 24 deg.
 W (Wide) / 39 deg.

1 (120V)
 2 (120-240V)
 3 (120-277V)
 4 (220-240V)
 7 (277V)

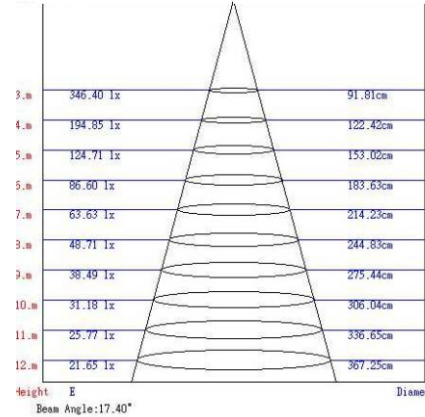
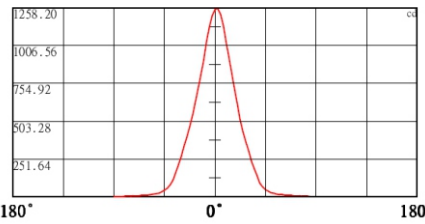
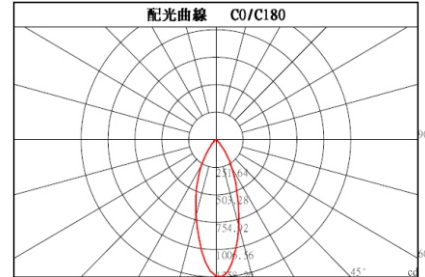
Photometric Data : Distribution Curve

Classic VS2 Vertical Spot Mini

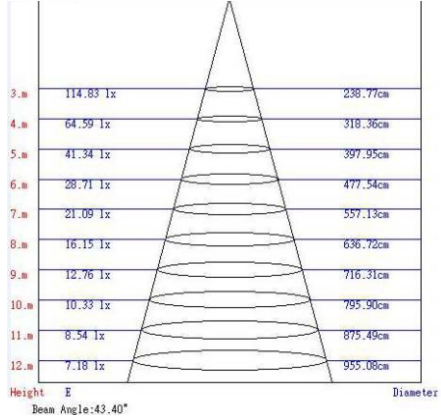
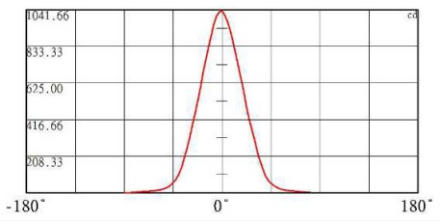
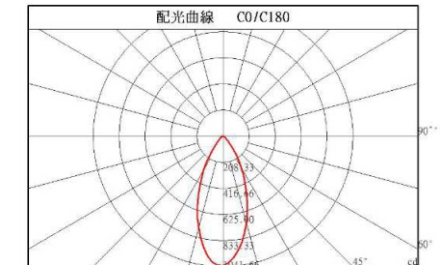
14° Beam Spread
 3000K
 > 700 lm
 Efficacy > 57LPW



24° Beam Spread
 3000K
 > 700lm
 Efficacy > 55LPW



39° Beam Spread
 3000K
 > 682lm
 Efficacy > 54LPW



Optional Accessory

Very Long Snoot

| | | |
|-----|------|----|
| VS2 | VLSN | BK |
|-----|------|----|

CLS VS2

VLSN
 Very long Angle Snoot

BK Black
 WH White
 AL Alumina



Angled Snoot

| | | |
|-----|----|----|
| VS2 | SN | BK |
|-----|----|----|

CLS VS2

VLSN
 Angle Snoot

BK Black
 WH White
 AL Alumina

